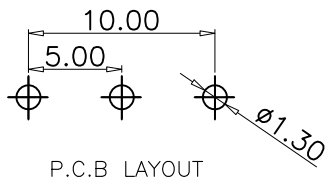
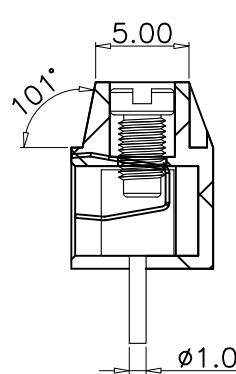
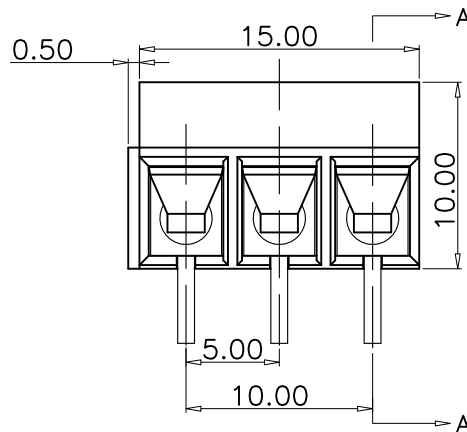
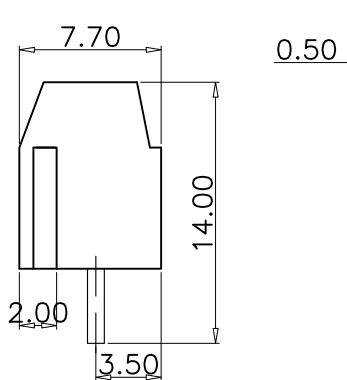
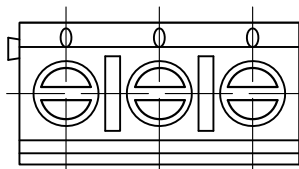


linear dimension(Tolerances Standard GB/T 14486-2008)								—	\square	\perp
variable range	to 6	over 6 to 10	over 10 to 30	over 30 to 60	over 60 to 100	over 100 to 160	over 160 to	to 10	over 10 to 100	over 100 to
tolerance	±0.20	±0.30	±0.50	±0.70	±1.00	±1.30	±1.60	0.10	0.30	0.60



REVISION RECORD				
REV.	DESCRIPTION	ECN NO.	APPROVE	DATE
A	新发行		YXW	2015. 5. 15

UL/CUL 技术参数 UL/CUL Technical Data			
等级 Use Group	B	C	D
额定电压 Rated Voltage (V)	300	-	300
额定电流 Rated Current (A)	15	-	10
接线范围 Wire Range 单/多芯线 Solid/Stranded (AWG)	22-14		
耐电压 withstanding VOLTAGE	1600V/Min		
IEC 技术参数 IEC Technical Data			
过电压类别 Overvoltage Category	III	III	II
污染等级 Contamination Class	3	2	2
额定电压 Rated Voltage (V)	250	400	500
额定电流 Rated Current (A)	17	17	17
额定冲击电压 Impulse Withstand voltagea (KV)	4.0	4.0	4.0
导线截面积 Conductor cross section 硬质/柔性导线 Solid/flexible (mm ²)	1.5		
材 料 Material			
绝缘材料 Insulation Material	PA66		
阻燃等级 Lmflamability	UL94V-0		
导体材料 Contactor Material	铜合金 Copper alloy		
导体表面镀层 Contactive Coating	镀锡 Tin plated		
一般参数 Other Data			
间 距 Pitch (mm)	5.0		
极 数 Poles (P)	2-24		
剥线长度 Stripping Length (mm)	4-5		
螺丝 Screw/扭矩 Torque (Max) (N. M)	M2. 5/0. 4		
工作温度 Operating temperatur (° C)	-30--+105		
引针尺寸 Pin Dimensions (mm)	4.00		
PCB板孔径 PCB Hole Diameter (mm)	1.3		

DES				单位/UNITS	MM	时间/SIZE	A4	比例/SCALE	1:1	第三视角/THIRD ANGLE PROJECTION	版本/REV
CHK	CLB	DATE	2015. 2. 25								
	LF	DATE	2015. 2. 25								
APP.	YXW	DATE	2015. 2. 25								



宁波市旭骋电子有限公司
NINGBOSHI XUCHENG ELECTRONIC CO., LTD

名称/
TITLE

XC301-5.0