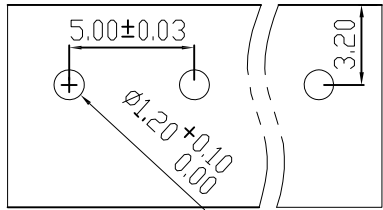
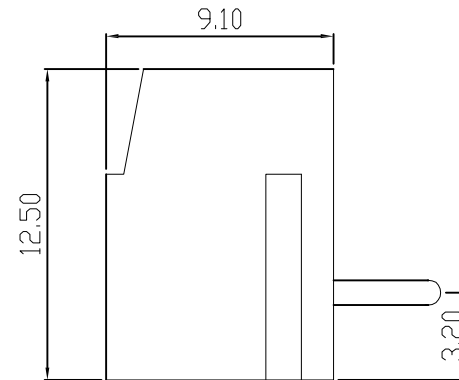
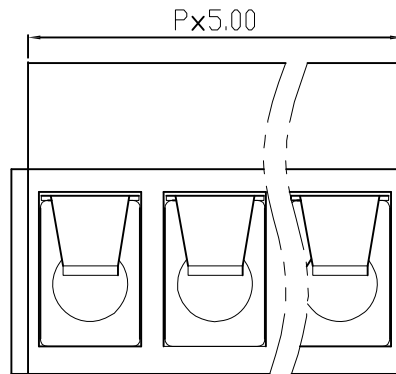
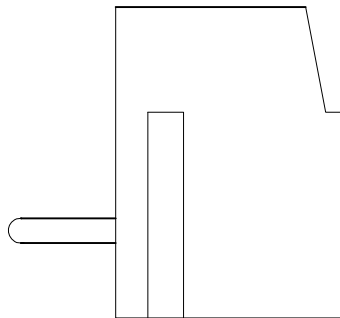
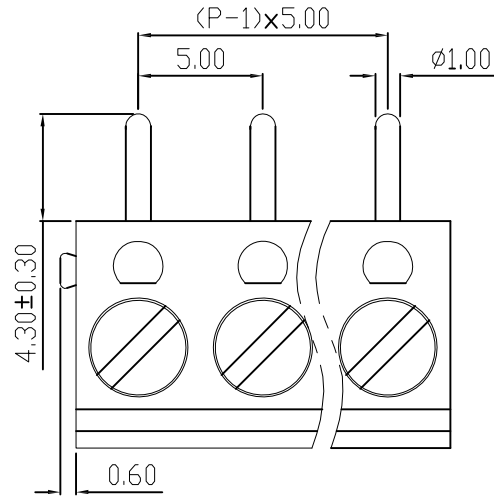


linear dimension(Tolerances Standard GB/T 14486-2008)								—	\square	\perp
variable range	to	over 6 to 10	over 10 to 30	over 30 to 60	over 60 to 100	over 100 to 160	over 160 to	to	over 10 to 100	over 100 to
	6	10	30	60	100	160		10	100	
tolerance	± 0.20	± 0.30	± 0.50	± 0.70	± 1.00	± 1.30	± 1.60	0.10	0.30	0.60



PCB LAYOUT



REVISION RECORD

REV.	DESCRIPTION	ECN NO.	APPROVE	DATE
A	新发行		YXW	2021. 2. 25

UL/CUL 技术参数			
UL/CUL Technical Data			
等级	Use Group	B	C D
额定电压	Rated Voltage [V]	300	- 300
额定电流	Rated Current [A]	16	- 10
接线范围	Wire Range		
单/多芯线	Solid/Stranded [AWG]	22-14	
耐电压	Withstanding Voltage	AC1600V/1Min	
IEC 技术参数			
IEC Technical Data			
过电压类别	Overvoltage Category	III	III II
污染等级	Contamination Class	3	2 2
额定电压	Rated Voltage [V]	250	400 500
额定电流	Rated Current [A]	17	17 17
额定冲击电压	Impulse withstand voltagea [KV]	4.0	4.0 4.0
导线截面积	Conductor cross section		
硬质/柔性导线	Solid/flexible [mm ²]	1.5	
材料			
绝缘材料		Insulation Material PBT	
阻燃等级		Inflammability UL94V-0	
导体材料		Conductor Material 铜合金 Copper alloy	
导体表面镀层		Contactive Coating 镀锡 Tin Plated	
一般参数			
间距	Pitch [mm]	5.0	
极数	Poles [P]	2-24	
剥线长度	Stripping Length [mm]	4-5	
螺丝	Screw/扭矩 Torque(Max) [N.m]	M3.0/0.5	
工作温度	Operating temperatur [°C]	-30~+120	
引针尺寸	Pin Dimensions [mm]	4.3	
PCB板孔径	PCB Hole Diameter [mm]	1.2	
安装类型	Mounting type	波峰焊/Wave Soldering	

DES.	CLB	DATE	2021. 2. 25	单位/UNITS	MM	时间/SIZE	A4	比例/SCALE	1:1
CHK.	LF	DATE	2021. 2. 25	宁波市旭骋电子有限公司 NINGBOSHI XUCHENG ELECTRONIC CO., LTD					
APP.	YXW	DATE	2021. 2. 25						

第三视角/THIRD ANGLE PROJECTION		版本/REV	A
名称/TITLE	XC300R-5.0		